

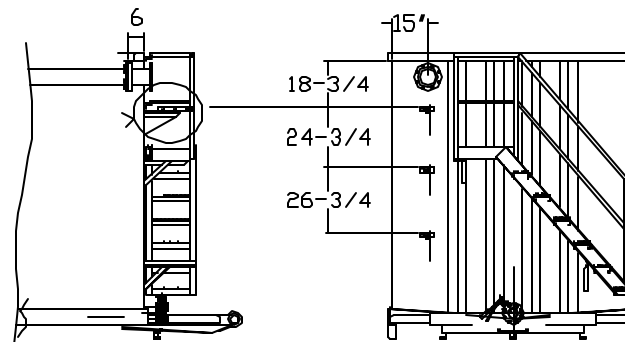
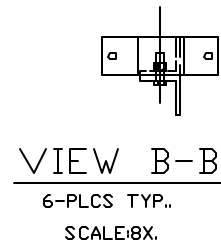
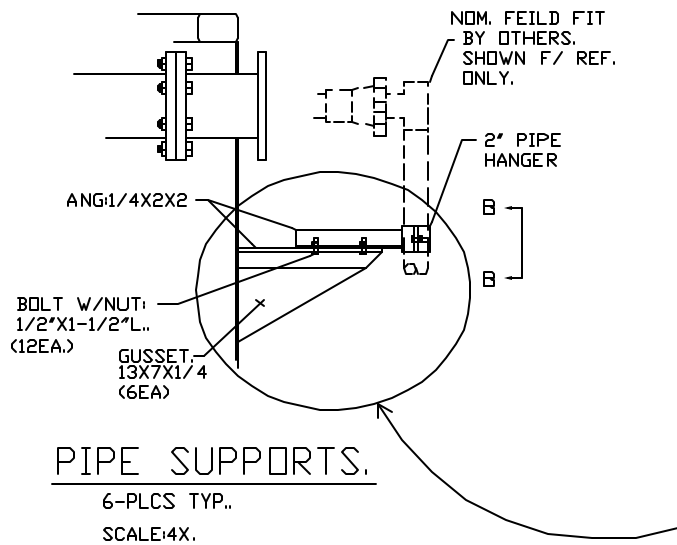
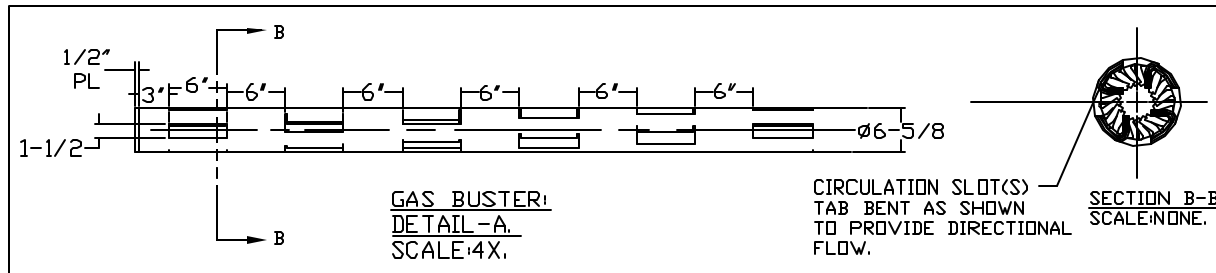
STANDARD FEATURES:

- SIDES: 1/4" CORRUGATED STEEL PLATE TANK CONSTRUCTION
- FLOOR: 1/4" STEEL PLATE TANK CONSTRUCTION
- KINGPIN: 1" GROUND CLEARANCE WHEN READY TO WORK
- V-BOTTOM FLOOR FOR BETTER DRAINAGE
- HEAVY DUTY NOSEBAR ASSEMBLY
- HUTCH 9700 SUSPENSION
- 22,500 LB AXLE, 5" ROUND
- 11.00 X 22.5 TIRES AND STEEL WHEELS
- AIR BRAKES
- 21" MANWAY

NOTE:

SOME DETAILS NOT SHOWN IN ALL VIEWS
 ALL D.O.T. REQUIRED LIGHTING INCLUDED
 OVERALL DIMENSIONS ARE NOMINAL

PROPERTY OF:	DRAGON PRODUCTS		BEALMONT TEXAS
SCALE: NTS	THIS DRAWING AND INFORMATION CONTAINED HEREIN IS THE PROPERTY OF DRAGON PRODUCTS, L.P. AND CANNOT BE REPRODUCED OR TRANSMITTED IN ANY FORM OR BY ANY MEANS WITHOUT THE WRITTEN CONSENT FROM DRAGON PRODUCTS, L.P.	DRAWN BY: ADH	REV.
DATE: 07/16/2007	LIQUID (OPEN TOP) STORAGE TANK WITH GAS BUSTER		
500 BARREL	DWG NO. 00000855		SHEET A



INTERNAL MANIFOLD DETAIL

PROPERTY OF:	DRAGON PRODUCTS	BEAUMONT TEXAS
SCALE: NTS	THIS DRAWING AND INFORMATION CONTAINED HEREIN IS THE PROPERTY OF DRAGON PRODUCTS, L.P. AND SHALL BE KEPT IN CONFIDENTIALITY WITHOUT EXPRESS WRITTEN CONSENT FROM DRAGON PRODUCTS, L.P.	DRAWN BY: ADH
DATE: 07/16/2007		REV.
LIQUID (OPEN TOP) STORAGE TANK WITH GAS BUSTER		
500 BARREL		DWG NO. 00000855 SHEET B